

По вопросам продаж и поддержки обращайтесь:

Алматы (7273)495-231	Казань (843)206-01-48	Новокузнецк (3843)20-46-81	Смоленск (4812)29-41-54
Архангельск (8182)63-90-72	Калининград (4012)72-03-81	Новосибирск (383)227-86-73	Сочи (862)225-72-31
Астрахань (8512)99-46-04	Калуга (4842)92-23-67	Омск (3812)21-46-40	Ставрополь (8652)20-65-13
Барнаул (3852)73-04-60	Кемерово (3842)65-04-62	Орел (4862)44-53-42	Сургут (3462)77-98-35
Белгород (4722)40-23-64	Киров (8332)68-02-04	Оренбург (3532)37-68-04	Тверь (4822)63-31-35
Брянск (4832)59-03-52	Краснодар (861)203-40-90	Пенза (8412)22-31-16	Томск (3822)98-41-53
Владивосток (423)249-28-31	Красноярск (391)204-63-61	Пермь (342)205-81-47	Тула (4872)74-02-29
Волгоград (844)278-03-48	Курск (4712)77-13-04	Ростов-на-Дону (863)308-18-15	Тюмень (3452)66-21-18
Вологда (8172)26-41-59	Липецк (4742)52-20-81	Рязань (4912)46-61-64	Ульяновск (8422)24-23-59
Воронеж (473)204-51-73	Магнитогорск (3519)55-03-13	Самара (846)206-03-16	Уфа (347)229-48-12
Екатеринбург (343)384-55-89	Москва (495)268-04-70	Санкт-Петербург (812)309-46-40	Хабаровск (4212)92-98-04
Иваново (4932)77-34-06	Мурманск (8152)59-64-93	Саратов (845)249-38-78	Челябинск (351)202-03-61
Ижевск (3412)26-03-58	Набережные Челны (8552)20-53-41	Севастополь (8692)22-31-93	Череповец (8202)49-02-64
Иркутск (395)279-98-46	Нижний Новгород (831)429-08-12	Симферополь (3652)67-13-56	Ярославль (4852)69-52-93
Россия (495)268-04-70	Киргизия (996)312-96-26-47	Казахстан (7172)727-132	

High voltage mobile charging station DBL11.22-HV-LW



Our DBL11.22-HV-LW is a mobile charging station for charging motor vehicles via type 2.

With its small dimensions and integrated supply cable reel there are various applications possible. Due to its robust design and the easy, intuitive handling it is especially suited for daily use in the automobile industry.

- Flexible use
- Charging AC type 2, 11-22kW
- Robust construction (metal housing, IP54)
- Powerful quick loader in compact design
- Optional: ESD wheels

* Mains cable length

Specifications

Type	Input [V]	Output [V]	Output [A]
DBL11-HV-LW 1 m*	400V/3AC		11kW
DBL11-HV-LW 5 m*	400V/3AC		11kW
DBL22-HV-LW 1 m*	400V/3AC		22kW
DBL22-HV-LW 5 m*	400V/3AC		22kW

E-BVI Battery Voltage Indicator



- Battery voltage indicator for 12VDC lead acid vehicle batteries.
- Shows battery status during storage of a car;
- Robust construction, compact housing
- Easy mounting on the windshield of the vehicle using suction cup
- Extremely low power consumption
- Available output cables:
 - with OBD plug for direct connection to the OBD service socket inside the car (recommended!)
 - with crocodile clamps for connection to the battery poles

• Typelist:

Type	Input voltage	Output voltage	Output current	Cat. no.
E-BVI without output cable	--	--	--	116197/23
Output cable OBD, length 1,35m ('if connected, the complete length is 1,50m)	--	--	--	140424
Output cable crocodile clamps; length 4,50m	--	--	--	140425

Current clamp*



- Optional equipment for using the marked (*) functions

• Typelist:

Type	Input voltage	Output voltage	Output current	Cat. no.
Current clamp	--	--	--	140950
Cable with crocodile clamps	--	--	--	140951

D-PBAT Battery tester

Economic portable battery tester



- Automotive starter battery condition measurement
- Determination of malfunction in vehicle starting- and loading system*
- Cold starting ability measurement*
- DC Voltmeter
- Ammeter*
- Thermometer for ambient temperature
- Suited for 24VDC systems
- Quick and easy measurement
- User-friendly operation
- Maintenance-free

• Typelist:

Type	Input voltage	Output voltage	Output current	Cat. no.
D-PBAT Battery tester with current clamp	--	--	--	116516
D-PBAT Battery tester without current clamp	--	--	--	116516/1
Paper for printer	--	--	--	140952

Transport system



✓ Transport system (without charger)

For one battery charger (standard version)

Type: MPC4 (f.e. DBL1600)

Dimensions transport system (HxWxD):
100(202)x51x62 cm

Art.-No.

140526

Transport system options:

Incl. external signal lamp (height 100 cm)

140526/01

Incl. external signal lamp (height 20 cm)

140526/21



✓ Transport system for B-Housing version (without charger)

For one charger DBL B-Housing

For mounting external signal lamp
107492/x with mounting kit **140591/x**
prepared

Art.-No.

140527



✓ Transport system (multifunctional)

Without accessories

Transport system with mounting device for
two DBL in B housing and signal lamps

Art.-No.

140534

140534/1

Transport system with mounting device for
two DBL2250/3W resp. DBL3000/3W and
signal lamps

140534/2

Transport system with mounting device
for D-IBM2900 energy buffer system as
well as two DBL/3W or -B and signal lamps

140534/3

D-IBM2900 / Wallmount



✓ D-IBM2900 Energy buffer system for DBL chargers

Manufacturing

Ensuring an uninterrupted power supply in the industrial plant area

Art.-No.

107482 (3AC)

Mobile

Mobile loading unit enables flexible supply in vehicle fleets or rework stations

107483 (1AC)



✓ Wallmount (without charger)

For one charger (standard version)

Type: MPC4 (f.e. DBL1600)

Art.-No.

140551



✓ Wallmount with cable holder

Wallmount with cable bracket incl. mounting and fastening materials for DBL series in B-Housing Version

Art.-No.

140418

Rework Station / Cable spring balancer / Filter box



✓ Basic carrier / Rework station

Basic carrier for DBL MPC4 chargers,
B-Housing Version

Incl. EU socket combination
Not mounted!

Other socket combination on request

Art.-No.

140422

140422/10



✓ Cable spring balancer with locking device

Load 1.5...3 kg

Including conductor holder
for round cables

Art.-No.

140061/1



✓ D-ILA-F10A1 EMC Filter for DBL-Series

Adaptive filter box to meet ILA EMC
requirement on DBL devices

Retrofittable on existing DBL devices

Suitable for DBL1050-14, DBL1200-14
and DBL1600-14

Art.-Nr.

140291

Signalization



✓ External Signal Lamp

External signal lamp for charging computers of the DBL series

For clear signalling of the charging status on production lines and workshops

With 2.5 m cable length

Without acoustic signalling

Acoustic signalling with LED signal green

Acoustic signalling with LED signal yellow

Acoustic signalling with LED signal red

Mounting set for mounting a signal lamp on the transport system, mounting height approx. 100 cm

Art.-No.

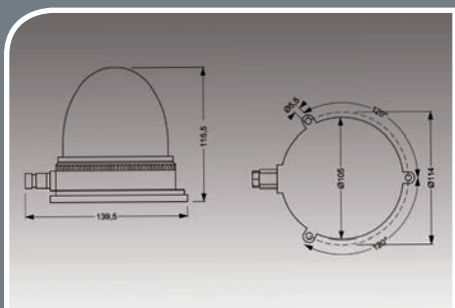
107492

107492/20*

107492/21*

107492/22

140591



With 0.5 m cable length

Without acoustic signalling

Acoustic signalling with LED signal green

Acoustic signalling with LED signal yellow

Acoustic signalling with LED signal red

Mounting set for mounting a signal lamp on the transport system, mounting height approx. 20 cm

107492/1

107492/10*

107492/11*

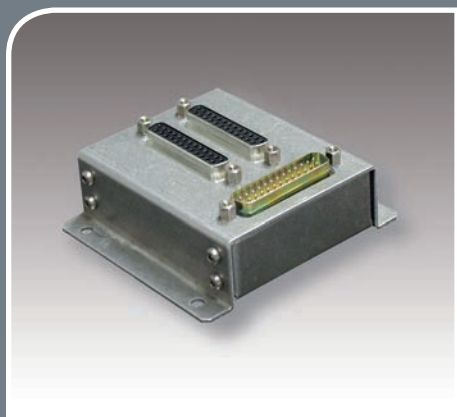
107492/12

140591/1

(* minimum order quantity: 5 pieces)



Use of charger with signal lamp during assembly line



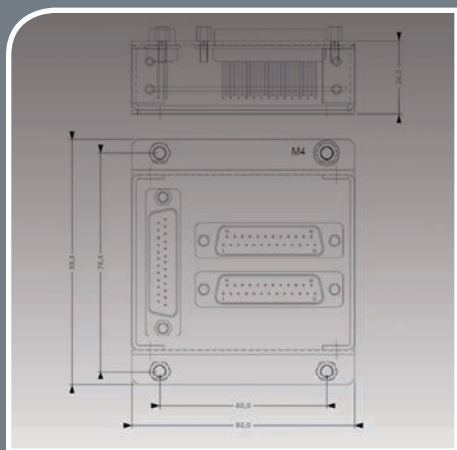
✓ D-ADAPT-SBB2X25 T-Adapter

The T-Adapter enables the utilisation of the further functions of the 25 pole DBL interface while at the same time the external signal lamp (DBL-SIG-LR) is connected to the DBL.

Type: MPC4 (f.e. DBL1600)

Art.-No.

140334



✓ D-ADAPT-SB25 Data Cable

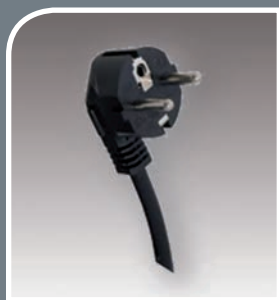
Data cable male-female, 25 pole / 1.8 m

Art.-No.

140337



Connection Technology



✓ Mains cable for Europe

With Schuko according to IEC-60320 C13

Meter	Art.-No.
3.0 m	140502
5.0 m	140501



✓ Mains cable for USA

According to NEMA 5-15

Meter	Art.-No.
3.0 m	140519
5.0 m	140504



✓ Mains cable for Australia

According to AS3112

Meter	Art.-No.
2.5 m	140515
5.0 m	140416



✓ Mains cable for United Kingdom

According to BS1363

Meter	Art.-No.
2.5 m	140517
5.0 m	140413

✓ Mains cables international (4 set)

Set consists of 4 mains cables

Europe-Schuko • USA / Canada / Japan

UK / Ireland / Hong Kong • Australia / New Zealand

Meter	Art.-No.
5.0 m	140415

✓ Mains cables international (3 set)

Set consists of 3 mains cables

USA / Canada / Japan • UK / Ireland / Hong Kong

Australia / New Zealand

Meter	Art.-No.
5.0 m	140420

Connection Technology



✓ Charging cable

16 mm² / 100 m reel
Cable for battery charger

Art.-No.

140509

Standard

Cable/Length	Connection	Charging clamps	Art.-No.
16 mm ² / 3.0 m	Welding connectors	Standard 200A	140707
16 mm ² / 5.0 m	Welding connectors	Standard 200A	140708
25 mm ² / 5.0 m	Welding connectors	Standard 200A	140710

Standard variants

Cable/Length	Connection	Charging clamps	Art.-No.
10 mm ² / 2.0 m	Welding connectors	Standard 80A	140684
16 mm ² / 7.0 m	Welding connectors	Standard 200A	140712
16 mm ² / 10.0 m	Welding connectors	Standard 200A	140721
16 mm ² / 12.0 m	Welding connectors	Standard 200A	140709
16 mm ² / 15.0 m	Welding connectors	Standard 200A	140708/9
16 mm ² / 3.0 m	Welding connectors	Angled 200A	140686
16 mm ² / 5.0 m	Welding connectors	Angled 200A	140687
25 mm ² / 5.0 m	Welding connectors	Pressed cable lug M8	140677
16 mm ² / 3.0 m	Cable lug M10	Standard 200A	140719
Charging cable for SmartCharger SC300/SC500			
6 mm ² / 4.0 m	From the BMCS2 connector up to the charging clamps	Fully isolated clamping tongs	140444

Connection Technology



✓ Cable clamps 200A completely isolated

For professional applications

Standard red
 Black

Art.-No.

140557

140558



Set angled red and black

Art.-No.

140549



✓ Charging cable coupling

Charging cable coupling (plug)

Charging cable coupling (socket)

Art.-No.

140556

140555



✓ Welding connector

Socket / plug for mounting in your own application

Mounting plug (minus)

Mounting socket (plus)

Art.-No.

140563

140562



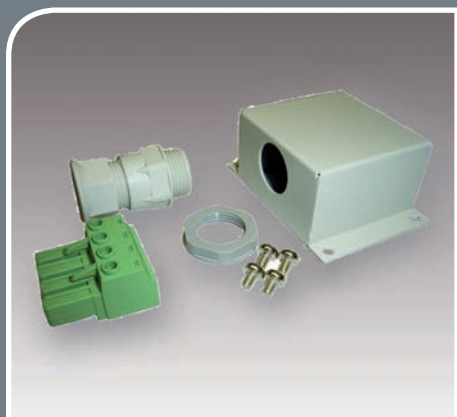
✓ Welding plug / Charging cable coupling set

Set includes Art.-No. 140555, 140556, 140562 and 140563

Art.-No.

140508

Connection Technology

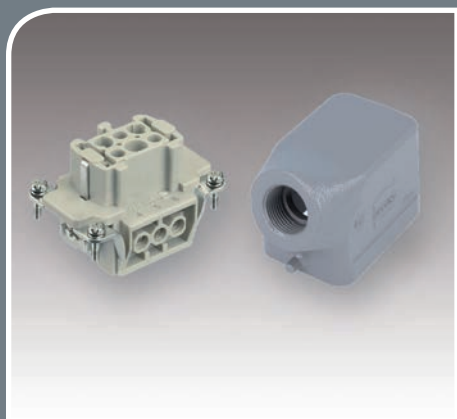


✓ Mains connection kit

For DBL3000/3W and DBL5500/3W

Art.-No.

140742



✓ HARTING-plug

HARTING-plug for all
DBLxxx/3W HAN-versions
(mains connection)

Art.-No.

140442

Miscellaneous

✓ Spare parts

Rubber foot for DBL800
(without illustration)

Art.-No.

140726

Hinged feet frontside
Type: MPC4 (f.e. DBL1600)
(without illustration)

140731

Carrying handle for product groups
Type: MPC4 (f.e. DBL1600)

140728

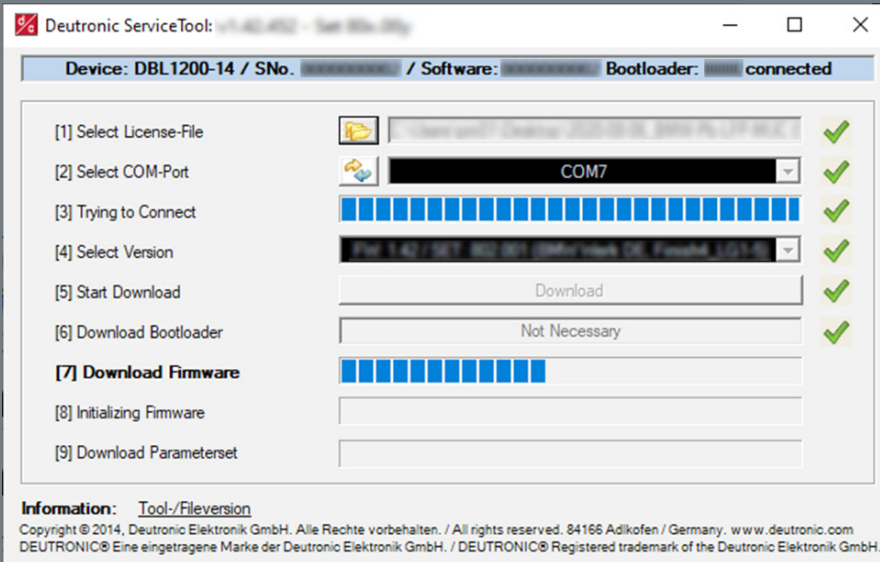
(Attention – handle is not generally mountable –
the basic article needs to be prepared ex factory)

Further spare parts on request



✓ D-Tool Service MPC4

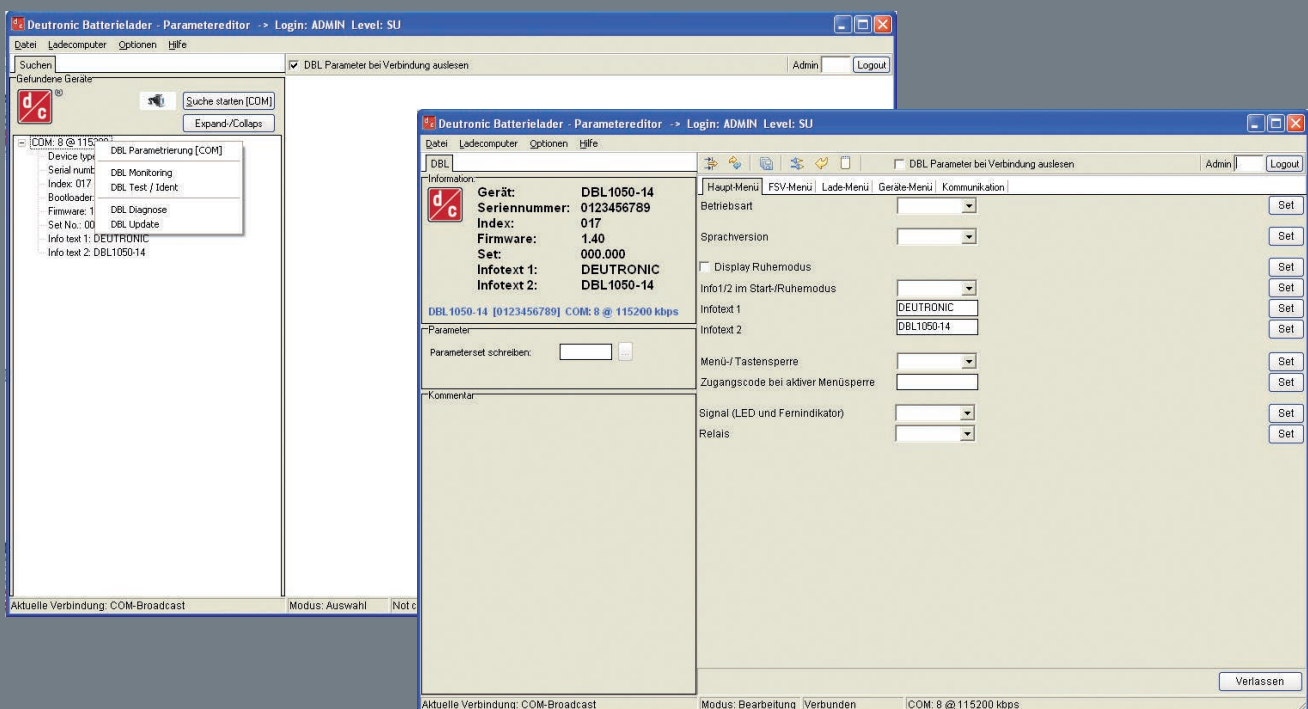
Software for fast and easy update of customer-specific firmware (including parameter) via RS232 or USB. Link available via e-mail.



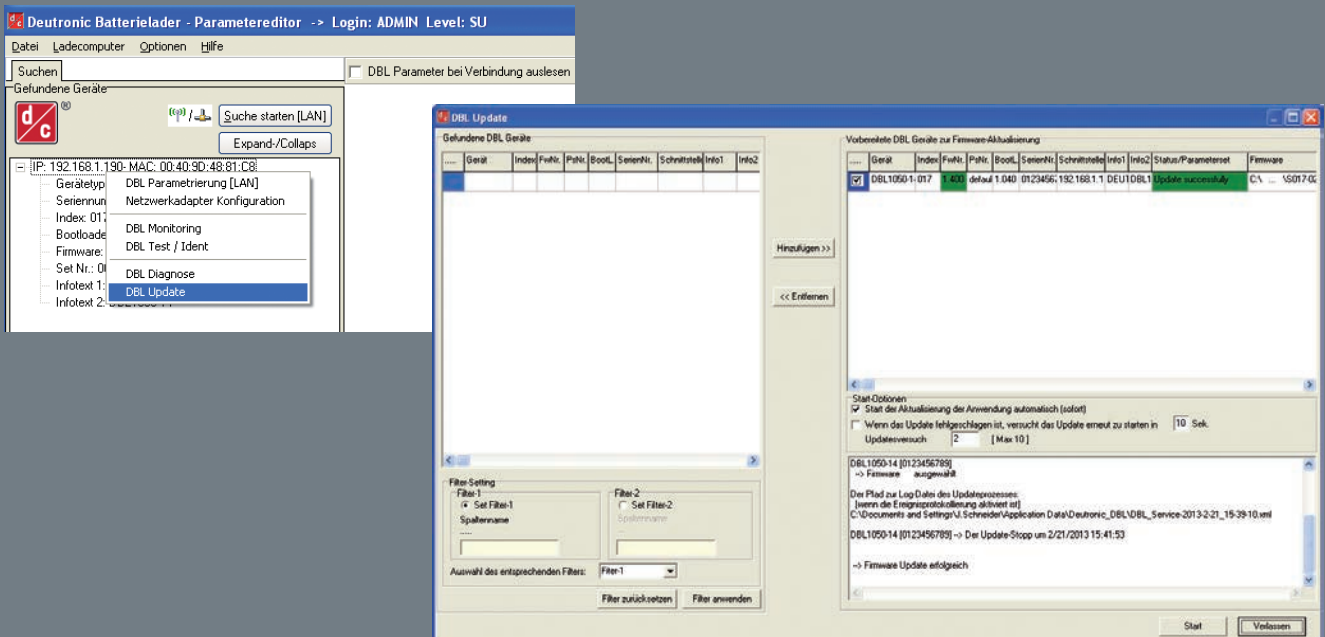
Art.-No.
on request

✓ D-Tool Parameterization Tool MPC4

For PC-based parameterization of DBL MPC4 charging computers and configuration of D-ADAPT-MPC4 network adapter via RS232/USB or Ethernet



Software



For DBL battery chargers with MPC4 controller board and D-ADAPT-MPC4 Network Adapter Series

Single-user licence (Microsoft® Windows® operating systems)

Without data cable

Art.-No.

140787

По вопросам продаж и поддержки обращайтесь:

Алматы (7273)495-231
Архангельск (8182)63-90-72
Астрахань (8512)99-46-04
Барнаул (3852)73-04-60
Белгород (4722)40-23-64
Брянск (4832)59-03-52
Владивосток (423)249-28-31
Волгоград (844)278-03-48
Вологда (8172)26-41-59
Воронеж (473)204-51-73
Екатеринбург (343)384-55-89
Иваново (4932)77-34-06
Ижевск (3412)26-03-58
Иркутск (395)279-98-46
Россия (495)268-04-70

Казань (843)206-01-48
Калининград (4012)72-03-81
Калуга (4842)92-23-67
Кемерово (3842)65-04-62
Киров (8332)68-02-04
Краснодар (861)203-40-90
Красноярск (391)204-63-61
Курск (4712)77-13-04
Липецк (4742)52-20-81
Магнитогорск (3519)55-03-13
Москва (495)268-04-70
Мурманск (8152)59-64-93
Набережные Челны (8552)20-53-41
Нижний Новгород (831)429-08-12
Киргизия (996)312-96-26-47

Новокузнецк (3843)20-46-81
Новосибирск (383)227-86-73
Омск (3812)21-46-40
Орел (4862)44-53-42
Оренбург (3532)37-68-04
Пенза (8412)22-31-16
Пермь (342)205-81-47
Ростов-на-Дону (863)308-18-15
Рязань (4912)46-61-64
Самара (846)206-03-16
Санкт-Петербург (812)309-46-40
Саратов (845)249-38-78
Севастополь (8692)22-31-93
Симферополь (3652)67-13-56
Казахстан (7172)727-132

Смоленск (4812)29-41-54
Сочи (862)225-72-31
Ставрополь (8652)20-65-13
Сургут (3462)77-98-35
Тверь (4822)63-31-35
Томск (3822)98-41-53
Тула (4872)74-02-29
Тюмень (3452)66-21-18
Ульяновск (8422)24-23-59
Уфа (347)229-48-12
Хабаровск (4212)92-98-04
Челябинск (351)202-03-61
Череповец (8202)49-02-64
Ярославль (4852)69-52-93